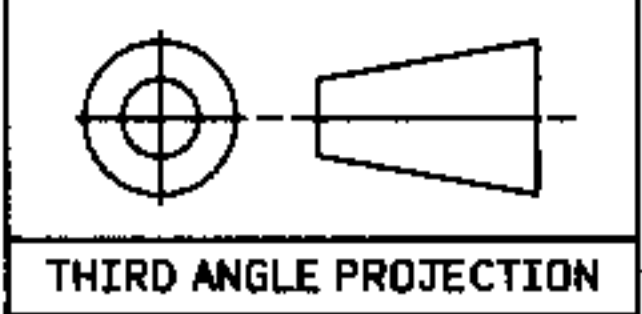
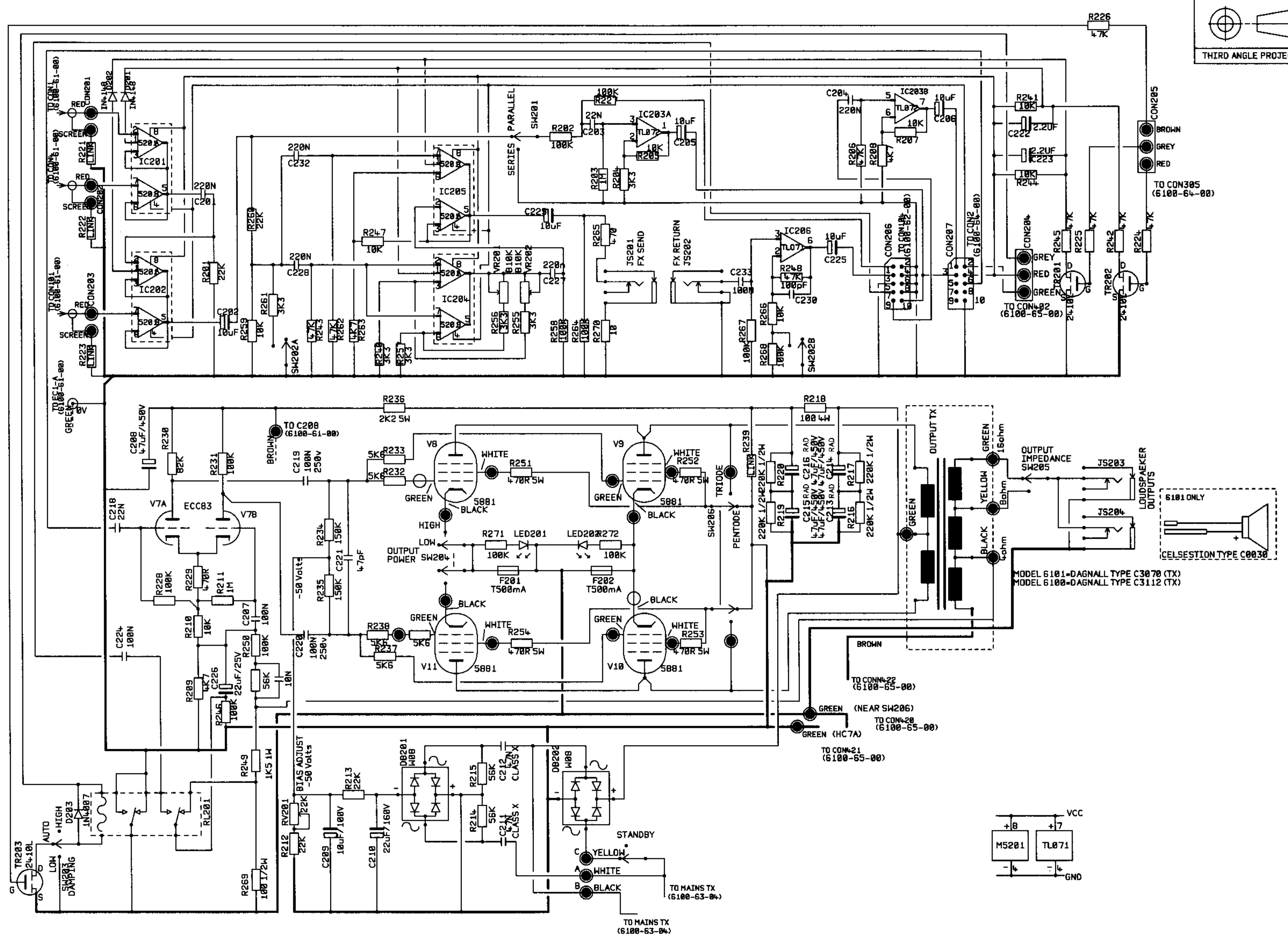


DWG. NO. 6100-63-04

NOTE -- ADJUST BIAS TO -50Volts  
(NO SIGNAL CONDITION)



UNSPECIFIED HOLE DATA			MATERIAL		DIMENSIONS IN		TITLE	
		A		MATERIAL THICKNESS	TOLERANCE (UNLESS OTHERWISE STATED)		POWER AMP CCT	
		B		INTERNAL BEND RADII	DIMENSIONAL		DWG.No	
		C		EXTERNAL B/A	CENTRES		6100-63-04	
		D		BEND DIE	ANGULAR		ISSUE	
4	0408	24-8-93	E	DRAWN T,F	DATE 15/05/92	MODEL 6100/6101	4	
3	0394	6-8-93	F	CHECKED	DATE			
2	0249	15/07/92	F	APPROVED	DATE			
ISS	ECO NUMBER	DATE	G					

*Marshall*

COPYRIGHT EXISTS ON THIS DOCUMENT. IT MUST NOT BE USED FOR ANY PURPOSE THAN THAT FOR WHICH IT IS SUPPLIED AND MUST NOT BE REPRODUCED OR IN PART WITHOUT WRITTEN PERMISSION FROM  
MARSHALL AMPLIFICATION PLC.  
DENBIGH ROAD, BLETCHLEY, MILTON KEYNES, MK1 10Q.  
TEL (0580)375411 FAX (0580)376118

DWG.No 6100-63-04  
ISSUE 4